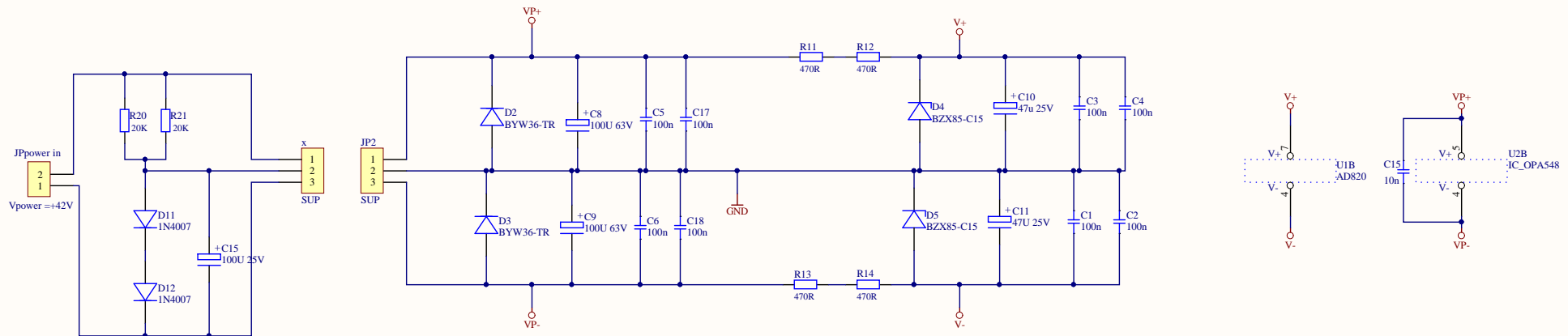


Input: 0 ... -8V  
Output: 0 ... +40V  
Overdracht -5V/V  
Vpower +42V  
(VPpower = -1,4V)



Title **Piëzo driver Single channel**

TU-DE/ft DEMO

Size: A3 Number: 1 Revision: #

Date: 25-1-2019 Time: 12:05:08 Sheet 1 of 1

File: M:\ud\demo\cso\mw-shared\18 INDIVIDUELE PRODUCTEN 2018\18-021 Power Amp Piezo driver single channel\1 Schema\A

**DEMO**  
www.demo.tu-delft.nl